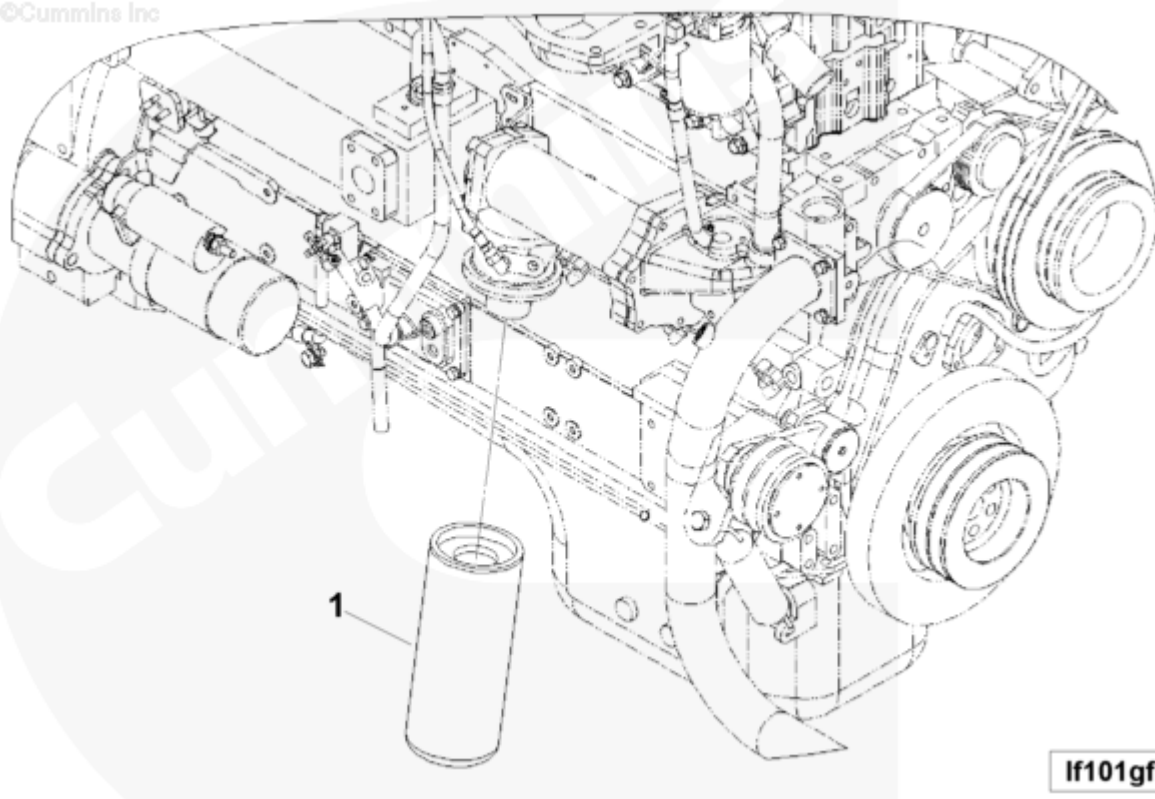





## Parts Catalog - Option Detail

Electronic Parts Catalog - Option Detail				
Option	Group	Graphic	Film Card	Date
LF1201-06	07.03	lf101gf	FF	26-OCT-98
<b>Engines</b>	G855, G855 CM558, GTA855 CM558 (CM2358) G101, N14 CELECT, N14 CELECT PLUS, N14 MECHANICAL, NH/NT 855, QSM11 CM876 M101, QSM11 CM876 M102M, QSN14 CM876 N103, QSN14 CM876 N105, QSNT14 CM876 N102			



[SMALL](#) | [MEDIUM](#) | [LARGE](#)

Cart	Ref No	Part Number	Part Description	Required	Remarks
<a href="#">View My Cart</a>					
		<a href="#">LF1201-06</a>	Full Flow Oil Filter		<a href="#">Combination bypass and lub...(More)</a>
					oil filter and filter head.
					Includes mounting for filter
					head to oil cooler. Filter
					not to include decal. To
					suit in-line coolers.

	1	<a href="#">3401544</a>	Lubricating Oil Filter Element	1	
--	---	-------------------------	--------------------------------	---	--

© 2019 Cummins Inc., Box 3005, Columbus, IN 47202-3005 U.S.A.  
Terms of Use and Disclaimers | Recommended System Requirements  
Need Assistance? Please click on the Contact Us button in the top right corner of any page.